



■ Vers. 064



■ Vers. N46

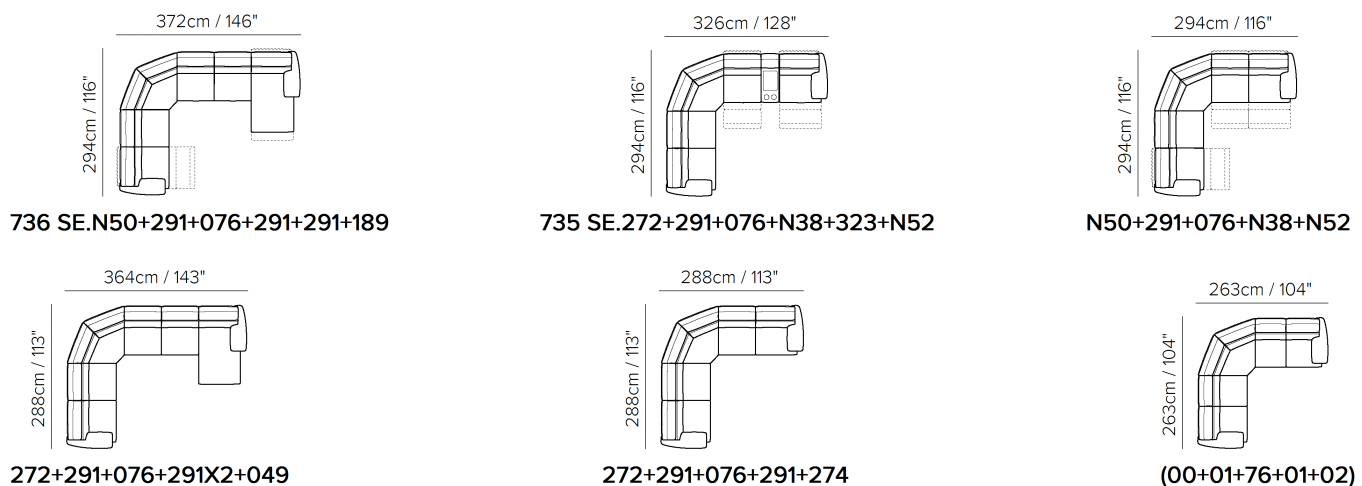


■ Vers. 000+001+076+N38+N52

SCHEMATICS



COMPOSITION EXAMPLES



TECHNICAL INFORMATION

	COVERING	Leather <input checked="" type="checkbox"/>	Soft Cover <input checked="" type="checkbox"/>				
	LEGS	Metal <input type="checkbox"/>	Wood <input type="checkbox"/>	Upholstered <input type="checkbox"/>	Castors <input type="checkbox"/>	Plastic <input checked="" type="checkbox"/>	
	FILLING	Arms <input type="checkbox"/>	Fiber <input type="checkbox"/> Foam <input checked="" type="checkbox"/> Feather/Fiber Mix <input type="checkbox"/> Feather <input type="checkbox"/>	Seat cushion <input type="checkbox"/>	Fiber <input type="checkbox"/> Foam <input checked="" type="checkbox"/> Feather/Fiber Mix <input type="checkbox"/> Feather <input type="checkbox"/>	Back cushion <input type="checkbox"/>	Fiber <input type="checkbox"/> Foam <input checked="" type="checkbox"/> Feather/Fiber Mix <input type="checkbox"/> Feather <input type="checkbox"/>
	COMFORT	Firm Comfort <input type="checkbox"/>	Standard Comfort <input checked="" type="checkbox"/>				
	FUNCTION	Bed <input type="checkbox"/>	Electric motion <input checked="" type="checkbox"/>	Motion <input checked="" type="checkbox"/>	Recliner <input checked="" type="checkbox"/>	Sliding <input type="checkbox"/>	
	OPTIONS	Removable <input type="checkbox"/>	Nails <input type="checkbox"/>	Contrast Stitching <input checked="" type="checkbox"/>			

NOTES

- Contrast stitching is available only with certain covers and option is managed directly in NARES.
- CUBICOMFORT™ Triple-Motion Technology is a registered trademark. It denotes a set of independent motion systems that activate the various elements of the sofa (seat, backrest, headrest and footrest) allowing each person to adjust their position of absolute comfort to the millimeter.
- Triple motion mechanism (vers. Nxx) activates footrest, headrest and lumbar support.
- Models with triple motion mechanism have a "home" button that resets from the relax position to the original position all in one movement. The "home" button is the first of the three switches and is activated by continuous pressure.
- Versions M93 (2pc) - M55 (3pc) - M46 (2pc) are made and shipped in multiple packages.
- All arms, back and seat surfaces are covered in Top Grain.
- This model is available with split leather exterior covering (Side, Rear and Front Panels)
- Tight Seat Cushion (the seat cushions of the models are fixed to the frame)
- Tight Back Cushion (the back cushions of the models are fixed to the frame)
- With Leather Side (the sectional pieces come with leather sides)
- Internal wooden frame
- Without Feet Assembled (the feet will be in a bag inside the package)
- Plastic Wrap (the model will be wrapped in a plastic bag)
- Feet height 4,0 cm

NOTES
